

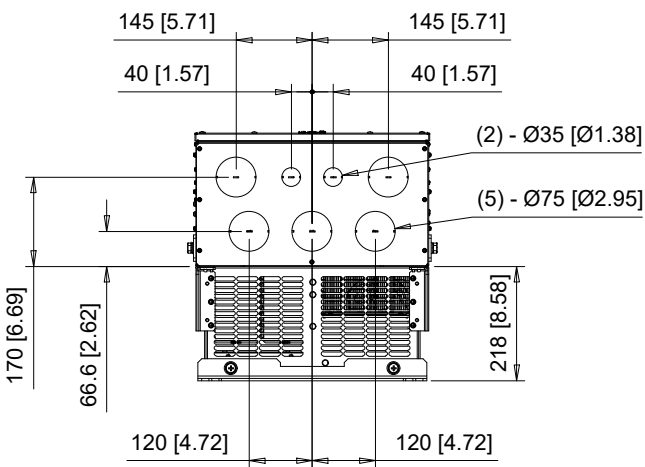
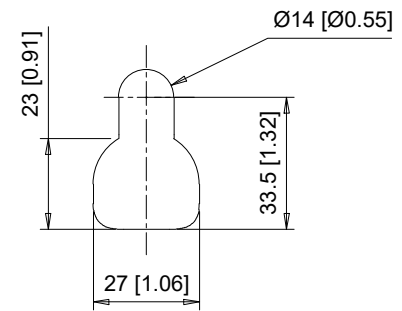
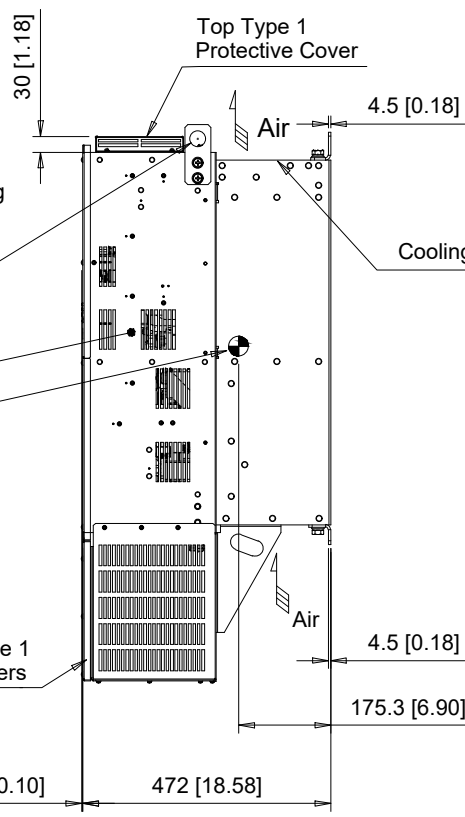
(4) Mounting Holes for M12 [1/2"] Screws. See Detail A for top mounting hole dimensions.

Note: Spreader bar required to avoid damage during lifting

(2)-Lifting Holes Ø30 [Ø1.18]

Center of Gravity
Note: Dimensions shown are measured from the bottom left mounting hole

Bottom Type 1 Protective Covers



The dimensions shown are for an IP20 Type Drive that has been converted to a U/L Type 1 Drive by adding the parts from U/L Type 1 Kit part number 900-192-121-010

C/C:	INPUT VOLTAGE	WEIGHT	COOLING
FP65□	3-PHASE (VAC)	Kg (lb)	FANS
2343□□□	200 TO 240	118 (260.1)	3
2396□□□		122 (269.0)	3

□ denotes A-Z

YASKAWA



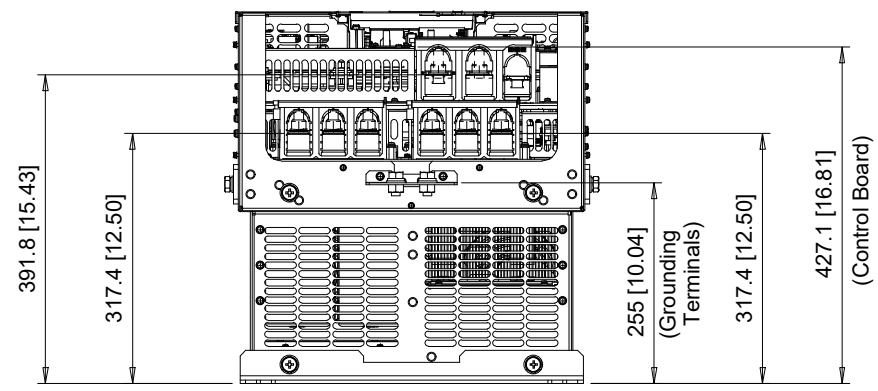
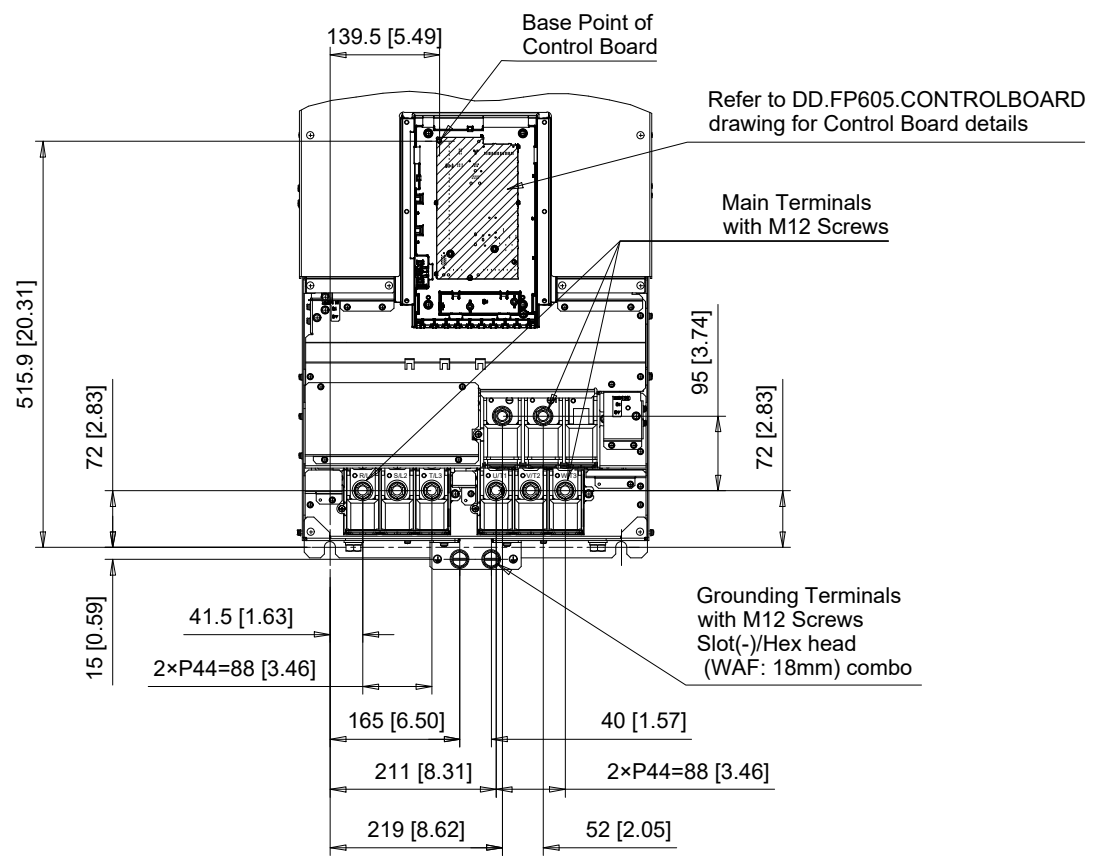
UNITS MM [IN]
SCALE 1:15

DRWN.	J. MATTAS	3-31-22
CHKD.	J. PIOTROWSKI	4-20-22
TECH.	L. UDDIN	4-23-22
APRV.	J. CAIRO	4-21-22

TITLE
FP605 DIMENSION DRAWING
FRAME SIZE 10A
IP20/UL TYPE 1 ENCLOSURE

SIZE A
PAGE 1 OF 3
DWG.NO.
DD.FP605.FR10A.T1

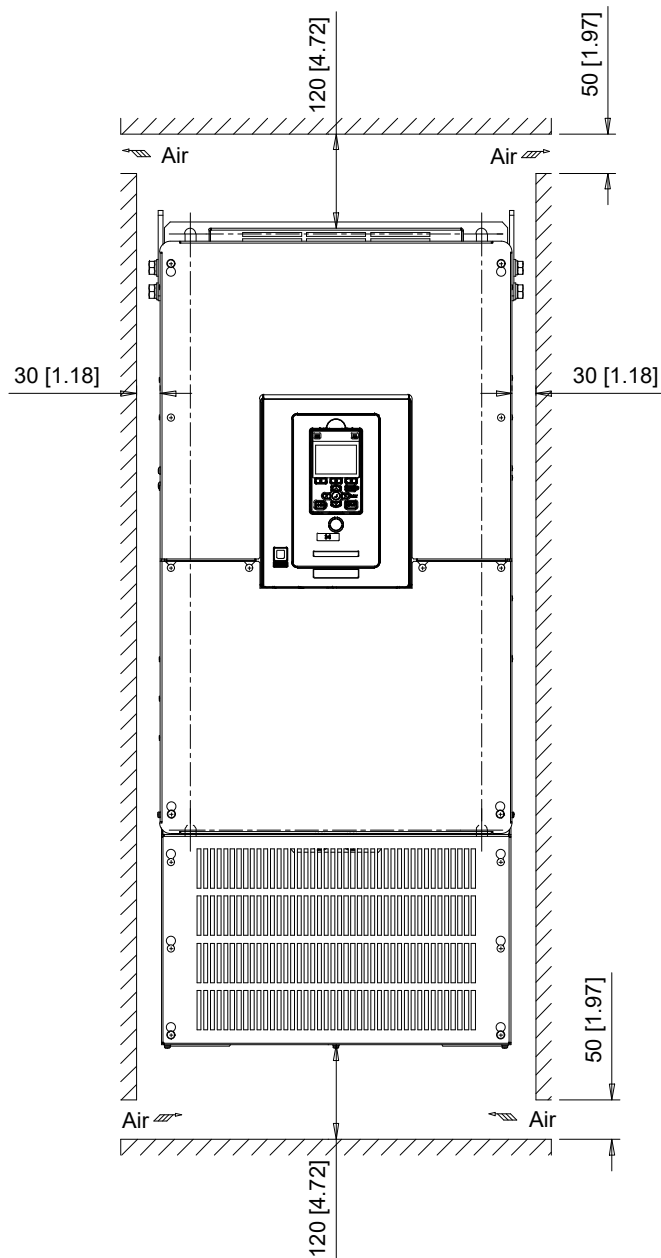
REV
0



C/C: FP65□	TERMINAL SYMBOL	WIRE RANGE AWG (mm ²)	TERMINAL SCREW	CLAMPING TORQUE N.m. (lb.in.)
2343□□□	R/L1, S/L2, T/L3	2/0 - 300 x 2P (70 - 150 x 2P)	M12	35 (310)
2396□□□	U/T1, V/T2, W/T3	2/0 - 300 x 2P (70 - 150 x 2P)	M12	35 (310)
	-, +1	4/0 - 400 x 2P (120 - 205 x 2P)	M12	35 (310)
	⊕	1 - 350 (120 - 240)	M12	32 - 40 (283 - 354)

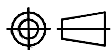
□ Denotes A-Z
Note: Refer to applicable codes and standards for proper wire type and size.

Minimum Installation Clearances (Scale 1:10)



Note:
For alternate mounting configurations, consult manual.

YASKAWA



UNITS MM [IN]
SCALE ABOVE

DRWN.	J. MATTAS	3-31-22
CHKD.	J. PIOTROWSKI	4-20-22
TECH.	L. UDDIN	4-23-22
APRV.	J. CAIRO	4-21-22

TITLE
FP605 DIMENSION DRAWING
FRAME SIZE 10A
IP20/UL TYPE 1 ENCLOSURE

SIZE A PAGE 3 OF 3
DWG.NO.
DD.FP605.FR10A.T1

REV
0